

zanflare Instruction Manual

F2 flashlight

Congratulations for purchasing our zanflare flashlight. You have chosen a high quality product designed from the latest technology. For the best use of our products, please read the instruction manual carefully.

Features

- Cree XP-G2 LED with a lifespan of more than 50,000 hours
- Maximum output of 200LM
- Constant current circuit design, ensures maximum protection of LED life.
- Made of light weight, high strength aero grade aluminium alloy
- HAIII military grade hard-anodized
- IPX8 Waterproof standard
- Drop test impact resistance 1.5 meters
- Reverse polarity protection guards against improper battery installation.
- With memory function, automatically turns on with the last mode enabled.
- With smart indicator: when the battery power is higher than 30%, the blue light will blink for 5 seconds, When the power is less than 10%, the red light will flash every 1sec.
- Powered by 2 AA batteries

Specifications

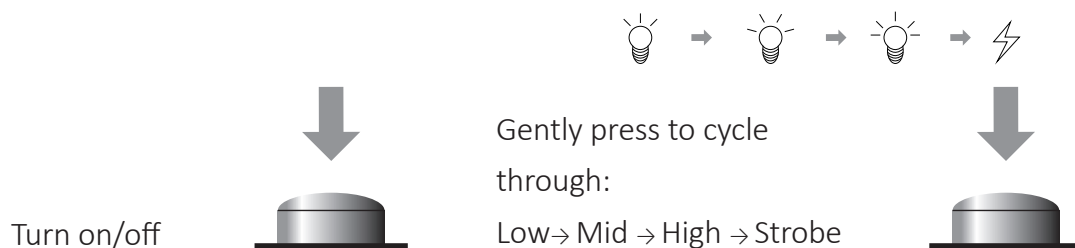
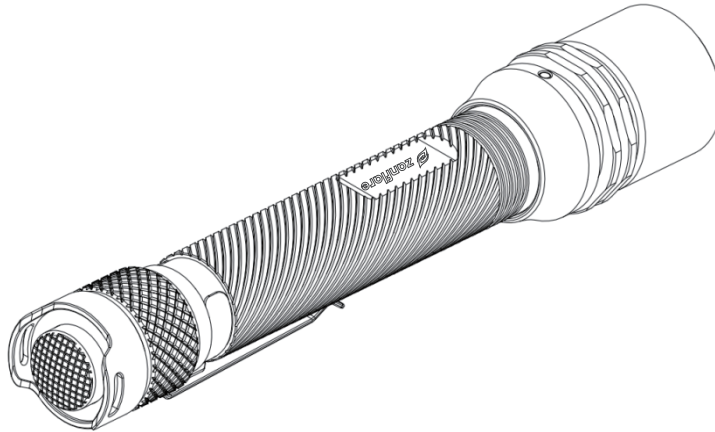
	Low	Medium	High	Strobe
Output	15LM	50LM	200LM	200LM
Runtime	32H	8H	0.63H	-
Size	Length: 155mm Body diameter: 19mm			
weight	73g (without battery)			

Accessories

- 1 x Flashlight
- 1 x Lanyard
- 1 x Clip
- 2 x O-ring

Instructions

- Long press the tail switch to turn the flashlight on / off.
- Once turned on, gently press the tail switch to switch between the four different modes: low- medium- high- strobe.

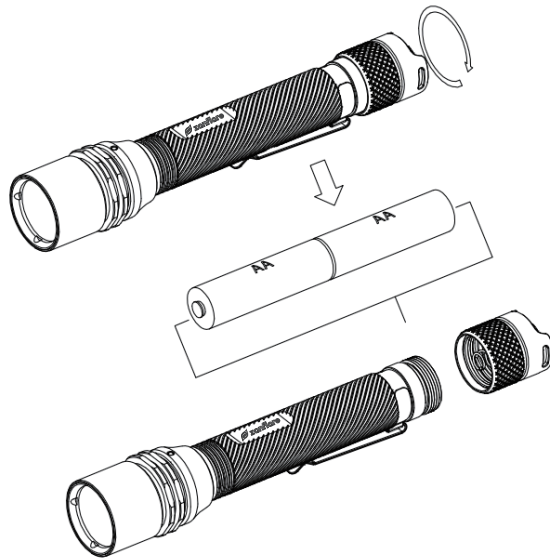


Battery Specifications

- When the battery power is higher than 30%, a blue light will blink for 5 seconds.
- When the battery is between 10% and 30%, a red light will flash every 5 seconds.
- When the battery power is less than 10%, the red light will flash once every 1second and automatically access a lower brightness mode.

Battery replacement

Unscrew the tail cap and inset the two AA batteries, make sure the batteries are inserted with the positive (+) end pointing to the head, then tighten snugly the tail cap.



Use and maintenance

- Do not disassemble the sealed head, as this may damage the flashlight and will void the warranty.
- Please use high-quality batteries, when the flashlight is not in use please remove the batteries or you run the risk of the flashlight being damaged by battery leakage and battery explosion.
- Due to the sensitive touch switch, the flashlight may mistakenly lit in the bag. To avoid this this problem, you can loosen the tail cap before storing.
- After long-term use remember to replace the O-ring to maintain the flashlight waterproof performance.
- Please clean often the conductive contact surface of the flashlight to ensure normal operation. If the LED indicator is flashing irregularly or is not flashing at all, there might be two reasons:
 1. The battery is low and needs to be replaced (note the positive and negative direction when loading the new battery).
 2. PCB board conductive contact surface and cylinder body may be dirty. Please clean with alcohol swabs.
- If the problem persists, please contact the after-sales service.

Warranty

- 30 days free replacement
any defective product can be replaced or repaired within the 30 days of purchase. The customer can choose between free replacement and free repair. If the customer ask for free replacement, he can only ask for the same version of the product bought, and if that version is not available or no more produced, we'll replace another product of the same brand with similar or better performances.
- 2 years free maintenance
free maintenance within 2 years of purchase, if the product is found to be defective under normal condition of use.